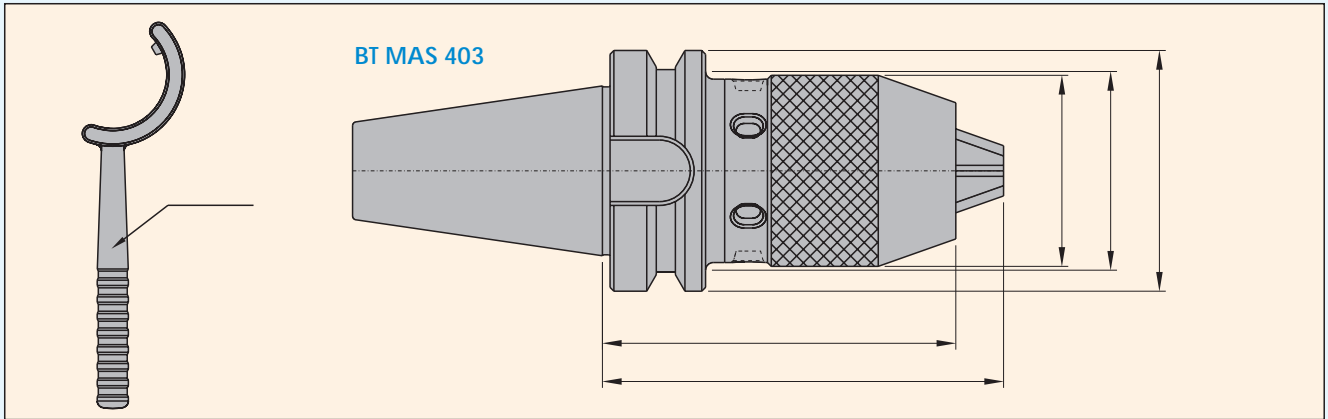


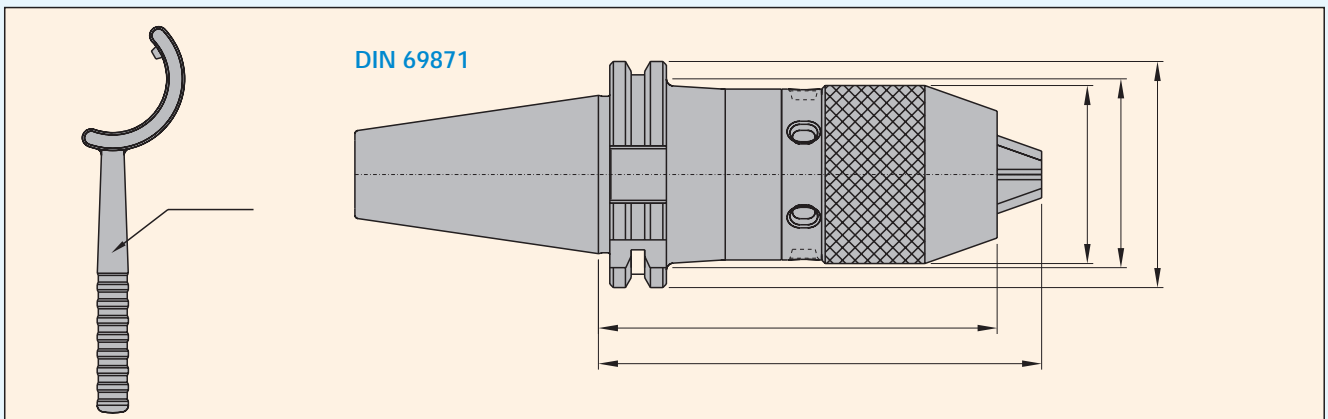


## BT SHANK NC DRILL CHUCK



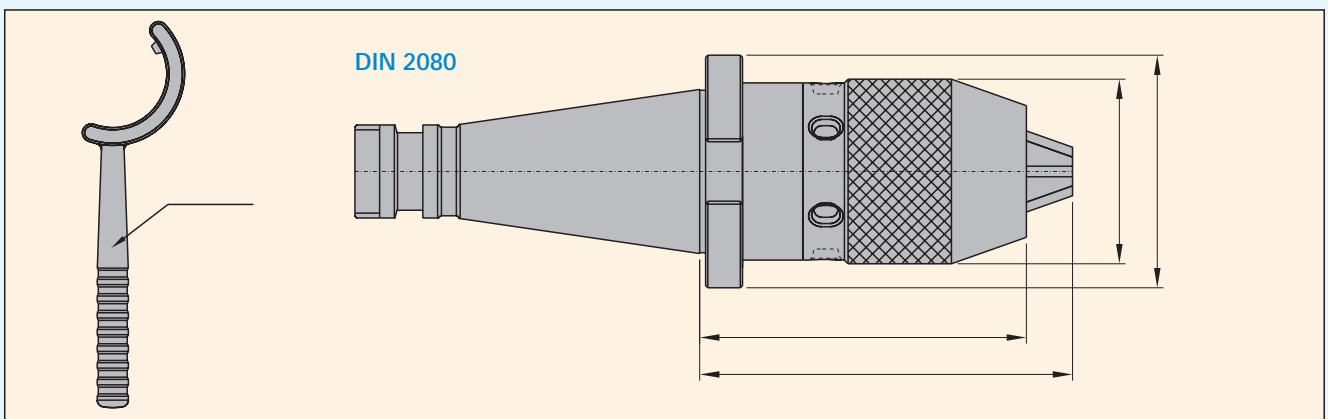
Type	D Ø	D1Ø	D2 Ø	L	L1
BT30XDC113	50	48	46	108.5	121
BT40XDC113	50	52	63	92.5	105
BT50XDC113	50	52	100	103.5	116

## CT SHANK NC DRILL CHUCK



Type	D Ø	D1Ø	D2 Ø	L	L1
CT40XDC113	50	54	63.5	112	124.5
CT45XDC113	50	57	82.5	95.5	108
CT50XDC113	50	59	97.5	103.5	116

## ISO 40 SHANK NC DRILL CHUCK (OTT MAHO)



Type	D Ø	D1Ø	L	L1
ISO40(OTT)XDC113	50	63	88.5	101